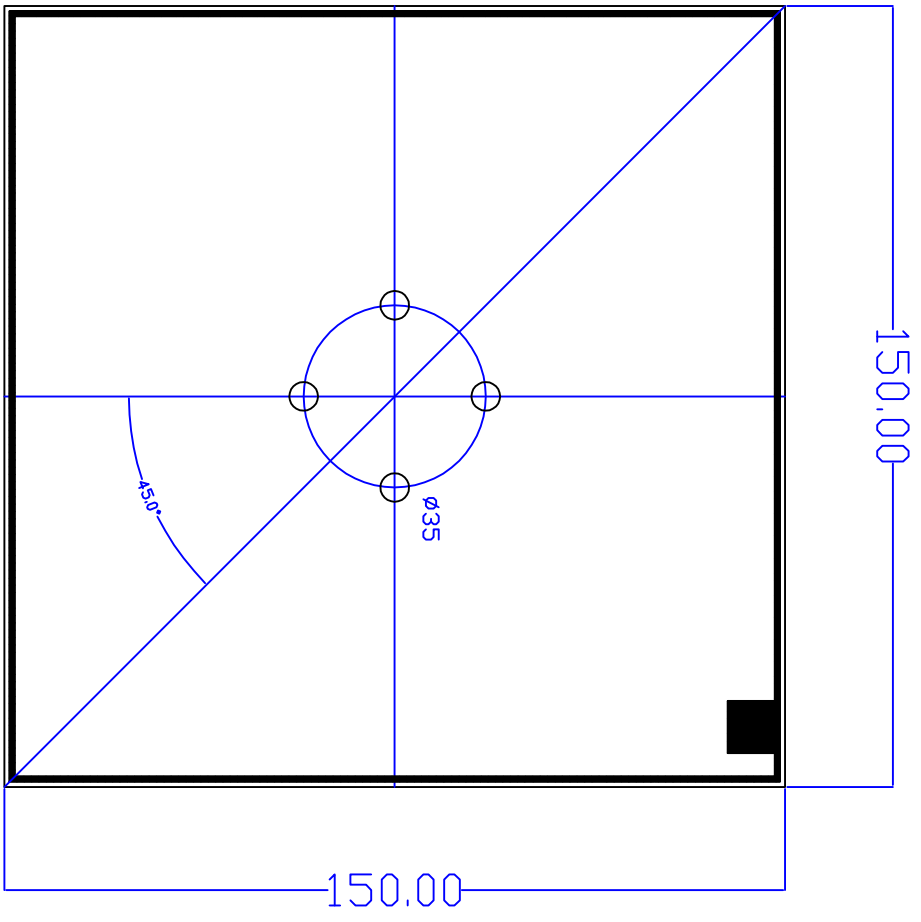


REVISION	DATE	DESCRIPTION	AMENDED BY
--	--	--	--
--	--	--	--



LED PATTERN  
 CODE: 04  
 NO. OF LEDS: 04

<b>KETAGON</b>		ADDRESS: 1 Kaki Bukit Avenue 3 KB-1 #03-07 Singapore 416087	
TITLE: TOBO LED PATTERN		TEL: (65) 6743-4553 FAX: (65) 6743-6929 Email: sales@ketagon.com	
MARK	SIGNATURE	DATE	PART NAME : PATTERN 04
DESIGN BY	KENNIE	07/03/2019	MATERIAL: ACRYLIC (CLEAR)
CHECKED BY	KENNIE	07/03/2019	TREATMENT: --
APPROVED BY	KENNIE	07/03/2019	SCALE: 1:1
DRAWING NO. :		RD1901-PATTERN-04	
QUANTITY: 1		REVISION: 1.0	